

Technical Data Sheet

WEISS™

FV155

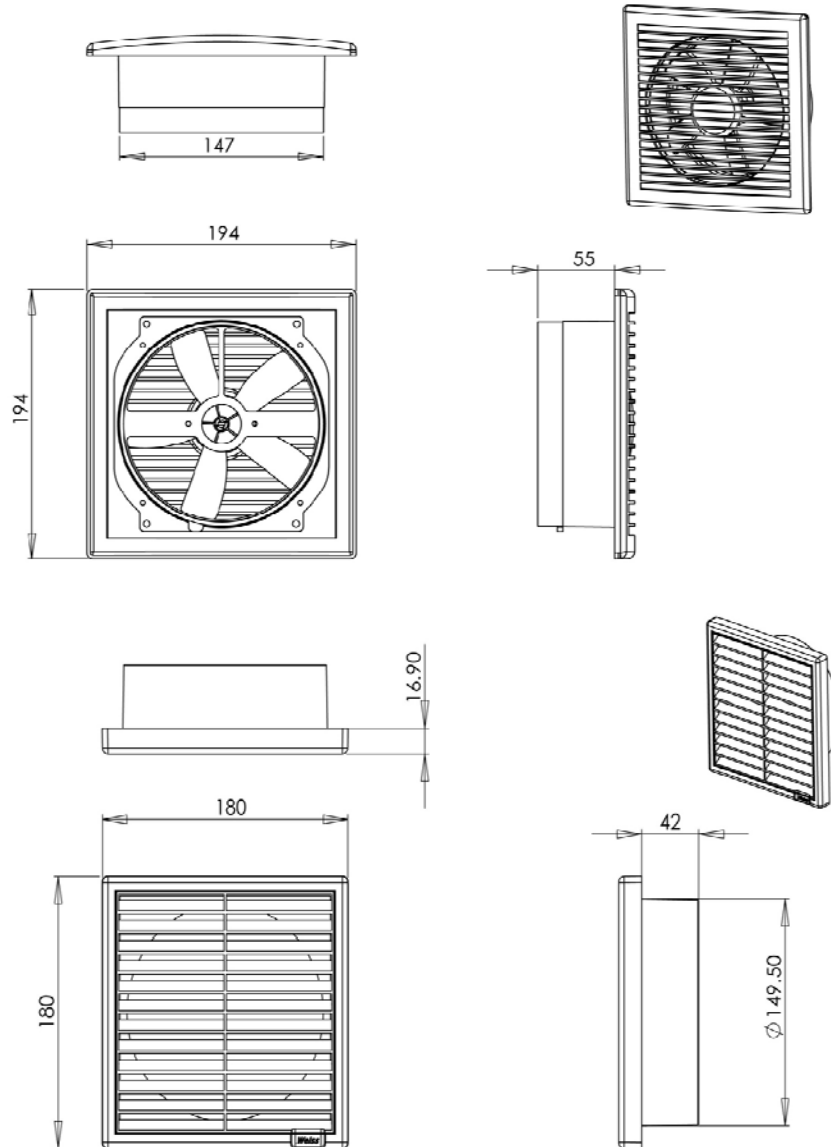
ClearFlow 150mm Through Wall

150mm ducting

Dimensions

Cut-out size for inlet fascia 155mm

Cut out size for outlet vent 155mm



Specifications

| | |
|------------------------|-------|
| Weight | 1.1kg |
| Colour of front fascia | White |
| Housing material | ABS |

Approval

AS/NZS 3350.2.80:1998 Amdts 1-3 "Electrical Fan"

Features

- Easy to install
- Fits up to 300mm wall cavity
- Unique 'no fuss' all in one unit
- Allows moisture to be removed to the outside of your home
- All parts are included
- 3 year extended warranty

Technical Data Sheet

Product Use

The FV155 is used for the extraction of mist and steam

Typical applications:

- Bathrooms
- Toilets
- Laundries

Environmental Conditions

| | |
|---------------------|----------------|
| Operation | to IEC 721-3-3 |
| Climatic conditions | class 3K5 |
| Temperature | 0...+50°C |
| Humidity | <95% r.h. |

Standards

| | |
|----------------|---|
| Test standards | AS/NZS 3350.2.80: 1998 Amdts 1-3 "Electrical Fan" |
| Test Report no | SD2443 |
| EMC Compliance | This is a Level One product with an C frame motor that has a very low risk of causing EMC Interference |

General

| | |
|--------------------------|----------------------------------|
| Free Air Fan Performance | 286m ³ / hr 79.4L/sec |
| Installed decibel rating | 47DB |

Ordering

| | |
|--|----------------|
| When ordering please give name and type, | |
| Reference | FV155 |
| Barcode | 942000490013-6 |

Technical Data

| | |
|------------------------|---------------------------|
| Power Supply | 230 VAC |
| Power consumption | max. 0.3 Amps |
| Supply Line fusing | max. 10A |
| For solid wires | 2 x 1.5mm ² |
| Motor | 230-240VAC 50Hz 0,4Amp |
| Motor insulation class | B1 |
| Total motor wattage | 30Watts |
| Motor protection | Impedance protected |
| Total product wattage | 30 watts |