

Technical Data Sheet

WEISS™

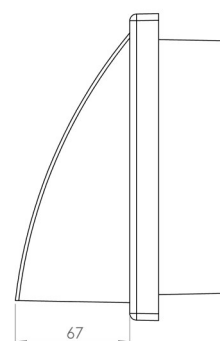
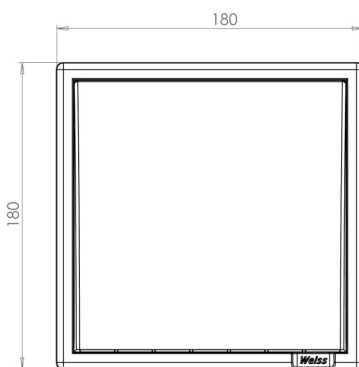
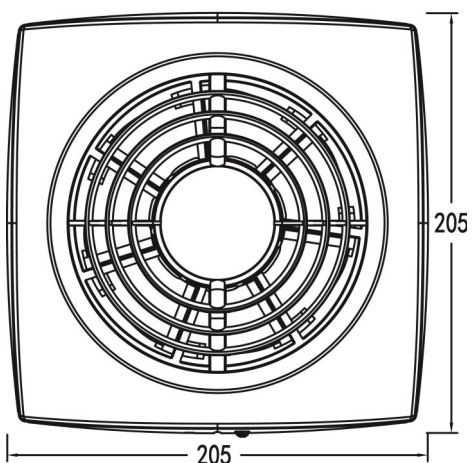
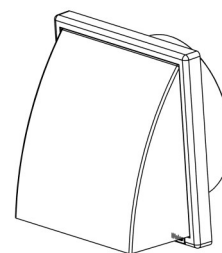
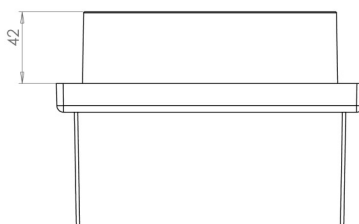
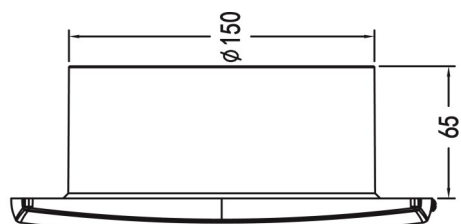
FV159-EC

150mm Through Wall with Cowl

150mm ducting

Dimensions

Cut-out size for inlet fascia	162mm
Cut out size for outlet vent	162mm



Specifications

Weight	1.1kg
Colour of front fascia	White
Housing material	ABS

Approval

AS/NZS 60335.2.80:A1

Features

- Complete kit supplied
- Attractive open flow design
- Includes cowl outlet
- Powerful fan performance due to Electronically controlled motor and blade pitch design
- Expandable ducting included
- Complies to NZ Safety Standards
- Suitable for a bathroom up to 4m x 4m
- Fits wall cavity up to 300mm

Technical Data Sheet

Product Use

The FV159-EC is used for the extraction of mist and steam

Typical applications:

- Bathrooms
- Toilets
- Laundries

Environmental Conditions

Operation	to IEC 721-3-3
Climatic conditions	class 3K5
Temperature	0...+50°C
Humidity	<95% r.h.

Standards

Test standards	AS/NZS 60335.2.80: A1
----------------	--------------------------

General

Free Air Fan Performance	340m ³ / hr 94.4L/sec
Installed decibel rating	47DB

Ordering

When ordering please give name and type,	
Reference	FV159-EC
Barcode	942000490333-5

Technical Data

Power Supply	230 VAC
Power consumption	max. 0.104 Amps
Supply Line fusing	max. 10A
For solid wires	2 x 1.5mm ²
Motor	230-240VAC 50Hz 0.104Amp
Motor insulation class	B1
Total motor wattage	16 Watts
Motor protection	Thermal protected
Total product wattage	16 Watts