

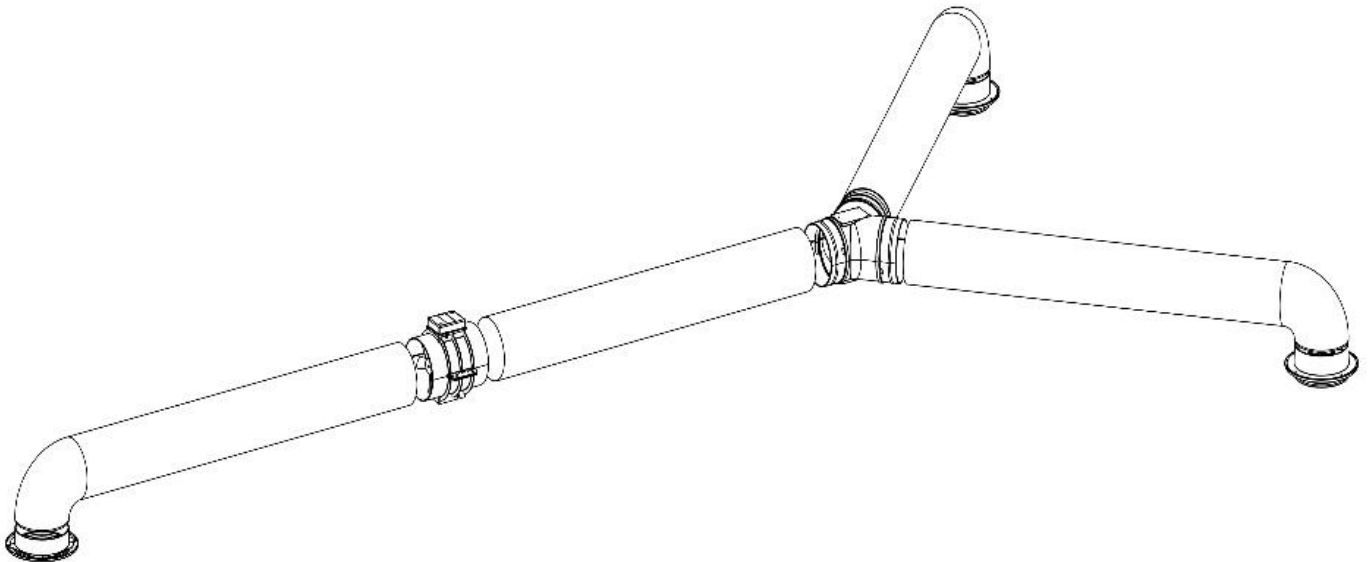


*Kiwi homes
are better
with Weiss*

Product Code: **FV662**

INSTALLATION INSTRUCTIONS

2 ROOM HEAT TRANSFER SYSTEM



For your safety please follow the installation and operating instructions

GENERAL USE AND SAFETY INFORMATION

Thank you for purchasing this quality **Heat Transfer System** by Weiss.

With a Weiss **Heat Transfer System** selected rooms can be warmed by transferring heat from an area with a slow combustion fire as the main heat source. This product is not designed for use with a heat pump.

NOTE: THESE UPDATED INSTALLATION AND OPERATION INSTRUCTIONS SUPERSEDE ANY INSTRUCTIONS ON THE CARTON or other FITTING INSTRUCTIONS

PLEASE READ ALL INSTRUCTIONS CAREFULLY BEFORE COMMENCING INSTALLATION.

Note: Pictures and diagrams on packaging are designed only to be used as a concept. All installation details should be carried out as per the instructions herein.

Note: **THIS PRODUCT MUST BE WIRED BY A REGISTERED ELECTRICIAN**

SUITABILITY

Heat Transfer System can be installed into any rooms that require warmth to ward off winter chills. The subtle design and quiet operation make the unit suitable for hallways, bedrooms and other family areas. Not for use in kitchens and bathrooms.

Heat Transfer System (includes insulated ducting, controller and inline fan) has been designed for ceiling cavity installation.

BEFORE YOU START

Heat Transfer System must not be mounted in areas subject to direct splashing. Refer to New Zealand standard NZECP2: 1988 Section 4.6 and Australian Standard AS3000:1991, Section 6.2.

SAFETY NOTE

This appliance is not intended for use by persons (including children) with reduced physical, sensory or mental capabilities, or lack of experience and knowledge, unless they have been given supervision or instruction concerning use of the appliance by a person responsible for their safety. Children should be supervised to ensure that they do not play with the appliance.

To avoid a hazard, a damaged supply cord (if supplied) must be replaced by the manufacturer. This includes the removal of the supply cord as this appliance is supplied as compliant. Modification including removal of the plug or cutting of the supply cord will render unit NON-COMPLIANT.

Precautions must be taken to avoid the back-flow of gases into the room from the open flue of gas or other fuel-burning appliances. Ensure that the fan is switched off from the supply mains before removing the guard.

Weiss recommends you always operate this product with the supplied controller. The fan will turn itself off when the temperature dips below the set point in the heat source room.

Before the fan is connected to a power circuit, ensure all electrical and building codes are adhered to.

INSTALLATION INFORMATION

IMPORTANT

Decide on which rooms you want to warm and check the distances between these rooms (in a straight line) to check your overall ducting requirement.

The Weiss **Heat Transfer Systems** are **not heat generating systems**. The systems have been designed to transfer heat. To ensure that minimal heat is lost while being transferred from one room to another, the ducting included is fully insulated.

Be sure that you have sufficient surplus heat available to be transferred to additional rooms.

Fit all duct work and secure the fan unit prior to the connection of the electrical supply.

DUCTING

All ducting components that are required to duct your **Heat Transfer System** are included. A total ducting length of 12 metres is included with this unit. (4 x 3 metre lengths).

FOR OPTIMUM PERFORMANCE

A well-insulated home with a ceiling height of 2.4 meters will be the most effective for transferring heat using a Weiss **Heat Transfer System**. You may have to run your heat source at a higher setting to be able to transfer the extra heat generated to other rooms. When starting the system, set the controller to the temperature that is required to be maintained in the room with the main heat source (the room with the

controller). This means that surplus heat will then be moved through the transfer system to other parts of the home. In a typical installation, it will take approximately one hour to warm rooms with transferred heat.

1. When mounting the inlet vent make sure it's far enough from the flue to avoid excess heat on the fascia and will not ingest too much smoke when the firebox is opened, (Between one and two meters from the flue.) The fascia mounting body must fit freely in the hole.
2. Finally, attach the ducting to the rear of the fascia body, secure with provided cable tie, repeat step for outlet vents.

****SEE PLACEMENT OF OUTLETS**

3. Slide the outlet vent fascia mounting back into place and screw into place using the four 6x¾ pan head screws provided. Press the fascia ring onto the body and then screw the centre diffuser into position.
4. In the ceiling cavity suspend the motor from the rafters. There is a directional arrow on the main fan body showing the flow of air through the inline fan unit. When fitting the ducting, ensure that the arrows on the motor housing are pointing in the direction of the outlet vent.

DIGITAL CONTROLLER

The enclosed Weiss **Heat Transfer System** comes complete with a wall-mounted controller. Weiss **Heat Transfer Systems** MUST ALWAYS be wired through the included controller. The best placement is in a convenient location within the room with the heat source, around light switch height, this can vary depending on room layout – but use this as a guide. The controller needs to be fitted in accordance with the instructions enclosed with the controller unit. Ensure the controller is located in the same room as the heat source, approximately 3-4 metres away at wall switch height.

FINAL STEPS

Finally, connect the wiring as illustrated in the included wiring diagram.

Note: Approximate means of disconnection are required to be incorporated in the fixed wiring. This product must be installed by registered Electrician.

Important mounting information

1. Use no more than 3 metres of ducting from the inlet to the fan motor and 3 metres to the junction.
2. Suspend the motor and keep it at least 150mm above the ceiling or insulation.
3. Keep the ducting as short as possible from the junction to the outlet vents
4. Ensure the ducting to each outlet is the same length to ensure equal airflow to each room.
5. Ensure all ducting is at least 1.5 meters away from the flue in the ceiling cavity

CLEANING AND MAINTENANCE

Isolate the unit from the mains before cleaning. To clean the fascia, simply wash it by hand with a damp cloth and warm soapy water. Do not use abrasives or solvent cleaners.

The fan unit needs to be wiped clean internally every 2 years to remove dust and residue from the fan blades and motors and the terminal connections also need to be checked and tightened at this time. All this maintenance work must be undertaken by a registered Electrician.

LENGTH OF DUCT

Have the **Heat Transfer System** fan and junction-to-room lengths as short as possible, 1x length (3mtrs) of ducting must be fitted between the inlet grill and the fan motor. Have the duct stretched out and as straight as possible. Be sure to cut off any excess. Support duct and bends from the rafters as necessary.

****PLACEMENT OF OUTLETS**

Keep the outlet ducting lengths as short as possible - this increases efficiency. It is not necessary, to put outlet in the centre of the room. The outlet vent needs only to be in the corner of the room.

Note: Initially, the fire or **heat source needs to be running at maximum**. It takes a while to heat a room and is dependent on humidity and on the moisture content of the furnishings. We recommend that the door to the room with the heat source is left ajar to ensure that air can circulate through the room. We also recommend that the house is aired out occasionally in fine weather. High studs, or badly insulated homes will remain more difficult to heat than low ceiling – well insulated homes.

COMPLIANCE AND WARRANTY INFORMATION

- This appliance must be installed by a registered electrician in accordance with the relevant electrical wiring rules and regulations and a COC is required for a warranty claim.
- Not for use with a heat pump
- Do not cover the fan unit with any insulation material
- Do not completely close off adjustable outlet vents
- Always install this product with the supplied controller
- Weiss Limited reserves the right to alter designs and specifications without notice
- Incorrect wiring or installation is not covered by warranty
- Full Warranty information is available on our web site: <https://www.weiss.co.nz/warranty>

QUESTIONS AND ANSWERS

Q: Will the air from the outlet feel hot?

A: It will depend on the available heat from the heat source. An outlet temperature of about 20°C to 25°C is common, but this will not feel warm to your hand. Average skin temperature of your hand is 28-32°C.

Q: Do I use the controller supplied.

A: **Only** use the supplied controller for operation of this system.

Q: My house has a high stud / is badly insulated, will this product still work?

A: Yes, but obviously not as well as in a well-insulated low-stud home. It will always take longer to warm a larger volume room.

IMPORTANT NOTES

- The unit should be checked annually for correct operation.
- This controller has been designed to work with Weiss Heat Transfer AC Fans only.

Weiss Limited, 20b Arwen Place, East Tamaki
PO Box 204-120 Highbrook Auckland
New Zealand
Web: www.weiss.co.nz