

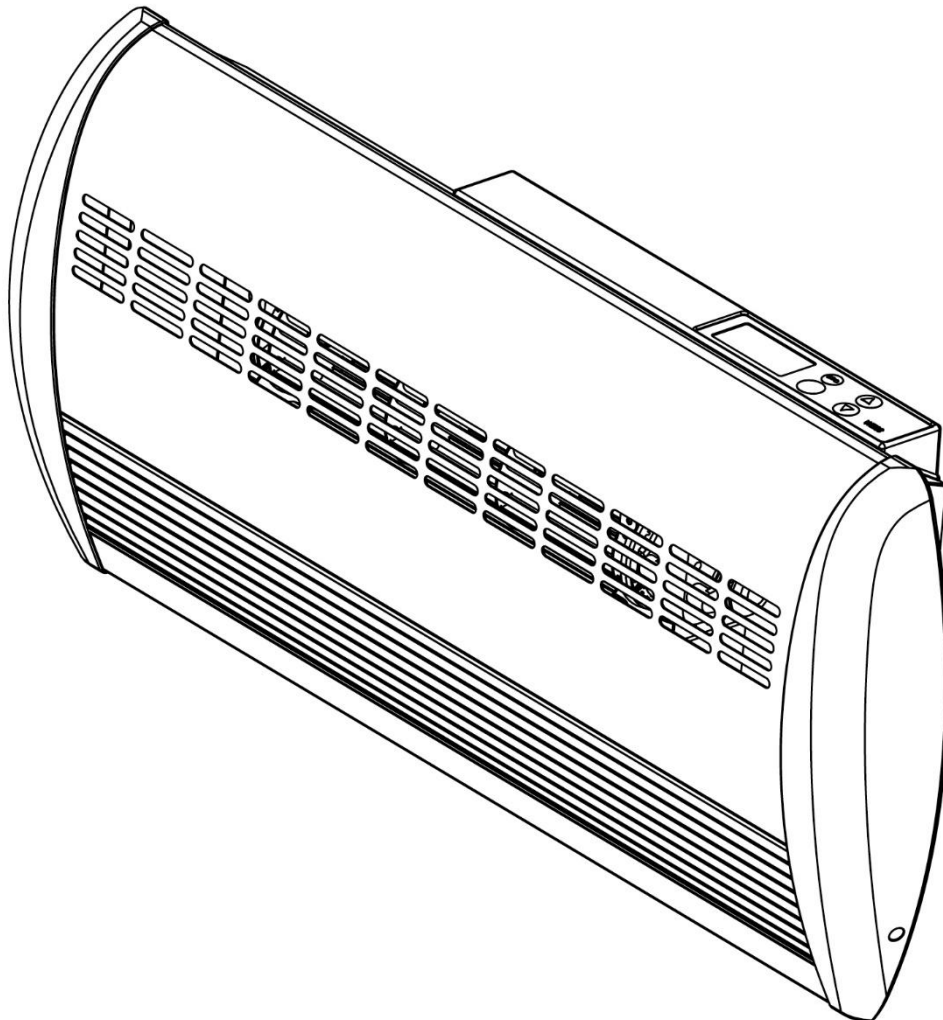


*Kiwi homes
are better
with Weiss*

Product Code: **SM2400**

INSTALLATION AND OPERATION INSTRUCTIONS

2400W SURFACE MOUNT SPACE HEATER



For your safety please follow the installation and operating instructions

GENERAL USE AND SAFETY INFORMATION

Thank you for purchasing this quality **2400w Surface Mount Space Heater** product by Weiss.

With a Weiss **2400w Surface Mount Space Heater** you will be able to provide controlled warmth into the installed location in your home.

NOTE: THESE UPDATED INSTALLATION AND OPERATION INSTRUCTIONS SUPERSEDE ANY INSTRUCTIONS ON THE CARTON or other FITTING INSTRUCTIONS

PLEASE READ ALL INSTRUCTIONS CAREFULLY BEFORE COMMENCING INSTALLATION.

Note: Pictures and diagrams on packaging are designed only to be used as a concept. All installation details should be carried out as per the instructions herein.

Note: **THIS PRODUCT MUST BE WIRED BY A REGISTERED ELECTRICIAN**

SUITABILITY

2400w Surface Mount Space Heater can be installed into any rooms that require warmth to ward off winter chills. The subtle design and quiet operation make the unit suitable for hallways, bedrooms and other family areas. Not for use in kitchens and bathrooms.

BEFORE YOU START

2400w Surface Mount Space Heater must not be mounted in areas subject to direct splashing. Refer to New Zealand standard NZECP2: 1988 Section 4.6 and Australian Standard AS3000:1991, Section 6.2.

SAFETY NOTE

This appliance is not intended for use by persons (including children) with reduced physical, sensory or mental capabilities, or lack of experience and knowledge, unless they have been given supervision or instruction concerning use of the appliance by a person responsible for their safety. Children should be supervised to ensure that they do not play with the appliance.

To avoid a hazard, a damaged supply cord must be replaced by the manufacturer. This includes the removal of the supply cord as this appliance is supplied as compliant. Modification including removal of the plug or cutting of the supply cord will render unit NON-COMPLIANT.

- Use this appliance only with the voltage specified on rating label.
- Do NOT use this appliance other than for its intended use.
- Do NOT touch hot surfaces or moving parts.
- Do NOT cover the grilles or place any object or material up against the unit, as this may block entry or exhaust of airflow.
- Do NOT probe any opening to remove fluff. To ensure trouble-free performance it is recommended that every 3 months the unit be isolated from the power supply and a vacuum cleaner used to remove dust and fluff from the inlet and outlet grilles.
- Do NOT allow the supply cord to come into contact with heated surfaces during operation.
- If used in conjunction with another heater fitted with an electronic programmer, ensure that the heater can operate safely in accordance with these operational instructions.
- Regulations require that electrical work be carried out by authorised persons. For your own safety and that of others, ensure this is done.
- This appliance is not intended for use in wet areas, i.e. bathrooms/laundries.

INSTALLATION INFORMATION

CAUTION

If the heater is used on the Freeze Guard setting, ❄️ or operated via a timer, ensure the heater is not obstructed in any way by furniture or drapes etc.

Ensure the heater can operate safely, should the heater switch on when the ambient temperature drops, or if Freeze guard activates the heater.

IMPORTANT

When operated for the first time, the heater may emit a slight odour. This is normal, and should clear within a few minutes. It is recommended you open windows and doors during this process.

Removing the front cover:

WARNING: always ensure the power supply is switched off or disconnected when the front cover is off. Unscrew the locking screws on each side of the front fascia and lift the assembly out and up from the unit.

ADDITIONAL PRODUCT NOTES

- The heater must not be located immediately below a socket outlet.
- The heater must not be located in front of a socket outlet.
- A wall switch must be incorporated in the fixed wiring as means for disconnection in accordance with AS/NZS wiring rules.
- Size of fixed wiring cable: 1.5-2.5mm². The fixed wiring cable needs to be so installed and connected to the terminal board that at least 8mm clearance is maintained between exposed, unsheathed conductors.
- The appliance is to be installed so that switches and other controls cannot be touched by a person in the bath or shower.
- Joists, beams and rafters shall not be cut or notched to install the appliance.
- The minimum required distance from the heater to any floor is 200mm.
- The minimum required distance from the heater to any adjacent wall is 200mm


Your WEISS SM2400 space heater is fitted with auto-reset thermal cut-outs and a fusible link. These safety devices will automatically switch off the elements should the heater reach an abnormal temperature. Should this occur switch the heater off immediately, and disconnect from the power supply. Allow the heater to cool down, and check for blockage of the air vents. Use a vacuum cleaner to clean if necessary. If the heater still fails to operate after this, disconnect from the power supply again and contact the nearest authorized service agent.

CAUTION: In order to avoid a hazard due to inadvertent resetting of the thermal cut-out, this appliance must not be supplied through an external switching device, such as a timer, or connected to a circuit that is regularly switched on and off by the utility.

INSTALLATION PROCEDURE

Connection Details

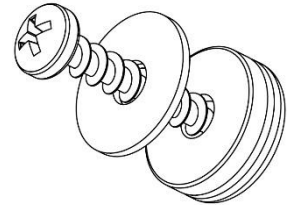
The appliance is supplied with a 1.8m 3-core flex and plug, enabling the appliance to be plugged directly into a 10 Amp power outlet.

 The supply cable must not be left coiled while the appliance is in operation. If the supply cord is damaged, it must be replaced by the manufacturer, its service agent or similarly qualified persons in order to avoid a hazard.

Due to the precision of the heater's electronic thermostat, the unit is highly sensitive to air drafts. For this reason, carefully determine the unit's location before installation. Please check the rating label on the product for supply requirements.

Mounting Instructions

Place the heater against the wall, ensuring it is level and the minimum distance between the heater and the adjacent surfaces are adhered to. The heater is fixed to the wall directly with 4 screws mounted through silicone grommets in the main body. The metal washers must be used between the grommet and screw head.



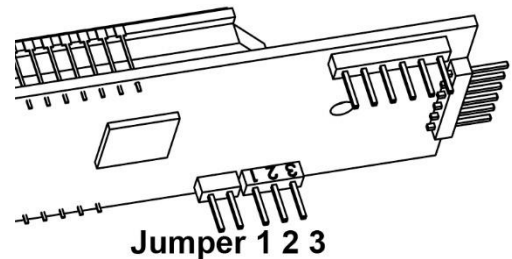
Run Timer Function (to be set at time of installation)

The Weiss SM2400 Surface Mount Space Heater comes set to run continually under the control of the electronic thermostat with no jumpers on pins 1 2 or 3. You may wish to set the total run time of the heater to limit power use when the room is not in use. Remove the rear cover to allow access. The jumpers are on the right-hand end of the PCB.

By choosing jumper position 1+2, the total run time is limited to 3 hours. Jumper position 2+3 limits run time to 6 hours.

Once the set time has elapsed, the heater will switch off.

The On/Off Switch must be reset for the unit to operate again.



UNIT OPERATION

Once your Weiss Heater has been safely installed, turn the heater on and set the temperature to the desired temperature, 10-35° C. By switching out of ECO to BOOST the heater it will warm the room faster. Once the room is warm the heater could be returned to ECO mode.

ON/OFF button: When the heater is turned on with the ON/OFF button use the up/down arrows to set the desired room temperature and then use the (ECO) button to select ECO or BOOST Heating mode.

Run Time: If run time control has been set up when the heater was installed a countdown timer will be displayed at the bottom of the screen and turn the heater off after the pre-set time has elapsed. This pre-set time is not adjustable by the user.

Keypad lock: The ON/OFF button is held down for 6 seconds to lock/unlock the keypad – 'L' is displayed on the temperature segment of the LCD when any key is pressed if lock is active.

Up/Down Arrows: In normal operation these change the temperature up or down. But in MENU operation toggle from Normal operation – Fan only operation - Frost mode.

Menu Operation: In menu operation the Down arrow will toggle between: Normal heater operation under thermostat control – Fan only operation – Freeze Guard mode. To enter the MENU, hold the ECO button down for 4 seconds. The "Temperature segments" will flash on the LCD screen; if the DOWN arrow is not pressed within 3 seconds then current setting is retained.

But if the Down arrow is pressed within 3 seconds the "Fan Blade symbol" will flash, this will be selected if no arrow key is pressed within a further 3 seconds.

If the DOWN arrow was pressed within 3 seconds Freeze Guard is set and the ❄️ symbol will flash on the temperature segments.

ECO button: Toggles between half power (ECO) and full power (BOOST) - represented by 1 or 2 sun symbols.

Fan only Operation: There is no heating in this mode and the fan runs continually until turned off. The fan blade symbol displayed on the LCD screen.

Freeze Guard: The heater can be set and left in this mode if Freeze Guard is required, if the ambient room temperature drops below 5°C the heater will start and continue to operate until the temperature rises above 5°C. The default setting is ECO but you can select BOOST.

The ❄️ symbol is displayed on the LCD screen and the set point temperature (5) is displayed on LCD, this cannot be changed.

Note: should the heater not operate when set to a lower temperature the room may already be warmer than the thermostat setting.

CLEANING AND MAINTENANCE

Isolate the unit from the mains before cleaning. To clean the fascia, simply wash it by hand with a damp cloth and warm soapy water. Do not use abrasives or solvent cleaners.

The heater requires regular cleaning to ensure trouble free operation, isolate the heater from the power supply first. **Vacuum the inlet and outlet grills EVERY 3 MONTHS to remove any lint or fluff, failure to observe this procedure will invalidate your warranty.** The heater is best wiped down, from time to time, with a damp cloth. Do not use any abrasive cleaners.

If your heater is in need of servicing, contact the nearest authorized service agent.

A fusible link is fitted to this heater and if it needs replacing it **MUST only be replaced with Weiss part number: SM-Link.**

COMPLIANCE AND WARRANTY INFORMATION

This appliance is provided with a plug and lead and is warranted with the understanding that this is the tested and approved means of connection. Weiss assumes NO responsibility for claims relating to removal and re-installation if the product has been modified if supplied with plug and lead.

IMPORTANT NOTES

- Do not cover the appliance with any insulation material
- Do not obstruct any inlet or outlet vents
- Always install this product with the supplied controller
- Weiss Limited reserves the right to alter designs and specifications without notice

Weiss Limited, 20b Arwen Place, East Tamaki
PO Box 204-120 Highbrook Auckland
New Zealand
Web: www.weiss.co.nz